



ADVANCED SERIES

Evolution Plus 1000 SR

Category Benefits

This model offers the following benefits:

- Food waste is ground into particles and flushed away
- A convenient solution to food waste in the home
- Lift & Latch Technology and rubber grips on trim shell make it easy to install into new or existing kitchens and can be fitted to most sinks

Features

This model offers the following features:

- **1 HP induction motor** provides maximum grinding power and durability
- **Quietest SoundSeal Technology** is our quietest disposal on the market
- **Advanced Grind** for tough and fibrous food scraps
- **4-Stage MultiGrind Technology.** Finest grind (Compared to 1- and 2-Stage MultiGrind Technology)
- **Removable Antimicrobial Baffle**
- Safe for use with properly maintained septic tanks
- Air Switch in 3 finishes (Matte black, Brushed Steel and Chrome)

Warranty

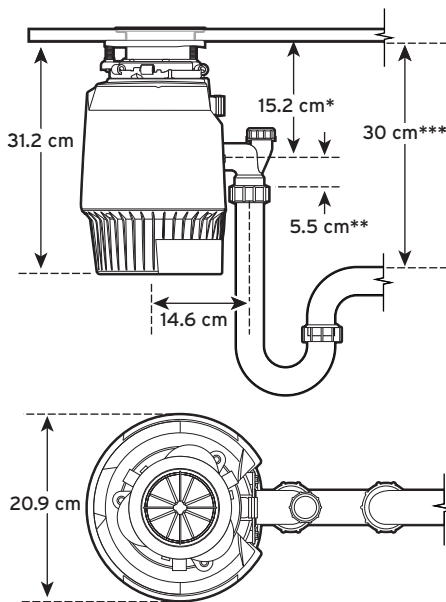
Up to 8-Year Limited Warranty*

* Visit www.insinkerator.com/product-registration for warranty details.

Specifications

| | |
|-----------------------------|---|
| Type of Feed | Continuous |
| On/Off Control | Air Switch |
| Motor | Single Phase |
| Motor HP | 1 |
| Volts | 220-240 |
| HZ | 50-60 |
| Motor Power, W | 450W |
| Time Rating | Intermittent |
| Lubrication | Permanently Lubricated Upper & Lower Bearings |
| Shipping Weight (Approx.) | 9.16 kg |
| Overall Height | 31.2 cm |
| Motor Protection | Automatic Reset |
| Drain Connection | 3.8 cm Anti-Vibration (Hose Clamp) |
| Dishwasher Drain Connection | Yes |
| Grind Technology | 4-Stage MultiGrind Technology |
| Plug | Schuko |
| Grind Chamber Capacity | 980 ml |

Dimensions



*Distance from bottom of sink to centre line of disposer outlet. Add 12.7 mm when stainless steel sinks are used.

**Length of tailpipe from centre line of disposer outlet to end of tailpipe.

***Distance between bottom of sink bowl to the waste pipe to be minimum of 30 cm.