



3N1 Steaming Hot Water Tap



Steaming hot filtered water,
plus regular hot & cold water



At the pull of a lever, the 3N1 steaming hot water tap can dispense steaming hot filtered water, regular hot or regular cold water, replacing your main tap. Ideal for making hot drinks, cleaning, preparing pasta and more.

FEATURES

- Dispenses filtered steaming hot water - perfect for hot drinks and countless kitchen tasks
- Swivel spout
- Premium contemporary Italian design
- Manufactured with premium materials
- Efficient use of space and time
- Easy to install
- Available in polished chrome, brushed steel, brushed gold, rose gold, jet black and velvet black finishes
- 5 year tap guarantee and 2 year tank guarantee
- Safe, multi-step hot water handle



Safe

All of our steaming hot water taps are protected by a push lock safety lever.



Energy efficient

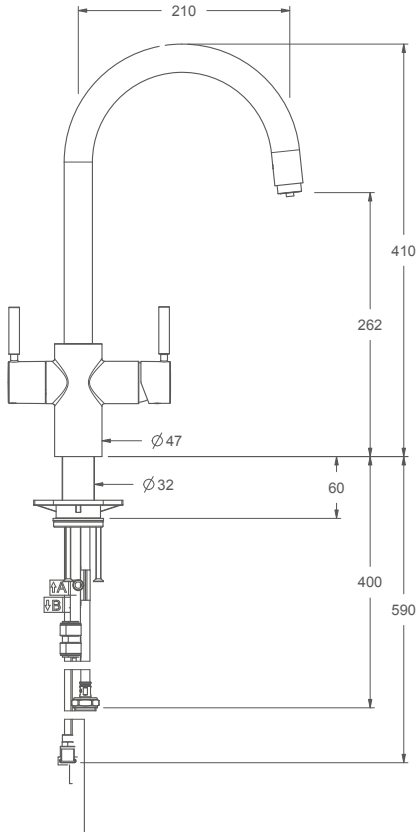
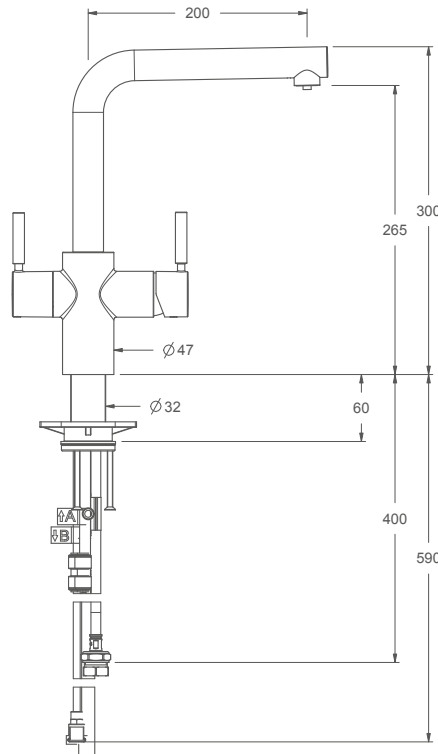
An InSinkErator® steaming hot water tap uses less energy than a 40-watt light bulb.



**PRODUCT
SPEC SHEET
3N1**

**SHOWROOM
COLLECTION**

DIMENSIONS (mm)

J Shape	L Shape
 <p>AVAILABLE IN FOUR FINISHES</p>	 <p>AVAILABLE IN THREE FINISHES</p>



Chrome



Brushed
Steel



Rose
Gold



Velvet
Black



Brushed Gold



Chrome spout
Jet Black nozzle



Velvet Black

SPECIFICATIONS

- Solid, high-quality low lead brass
- Complete installation kit for solid surface mount
- Capacity: 2.5 litre stainless steel tank
- Neotank® features a digital adjustable dial that allows you to set your water temperature in tank between 88°C and 99°C
- Required hole diameter: 35-38mm
- Required supply pressure (cold): 172-862 kPa (1.7-8.6 bar) (25-125 psi)
- Required supply pressure (hot): 50xPa (0.5 bar) (7 psi)



InSinkErator. Suite 10, Building 6, Hatters Lane,
Croxley Park, Watford, Herts WD18 8YH. United Kingdom

Sales tel: 01923 297 880
Service tel: 0800 389 3715
insinkerator.co.uk

